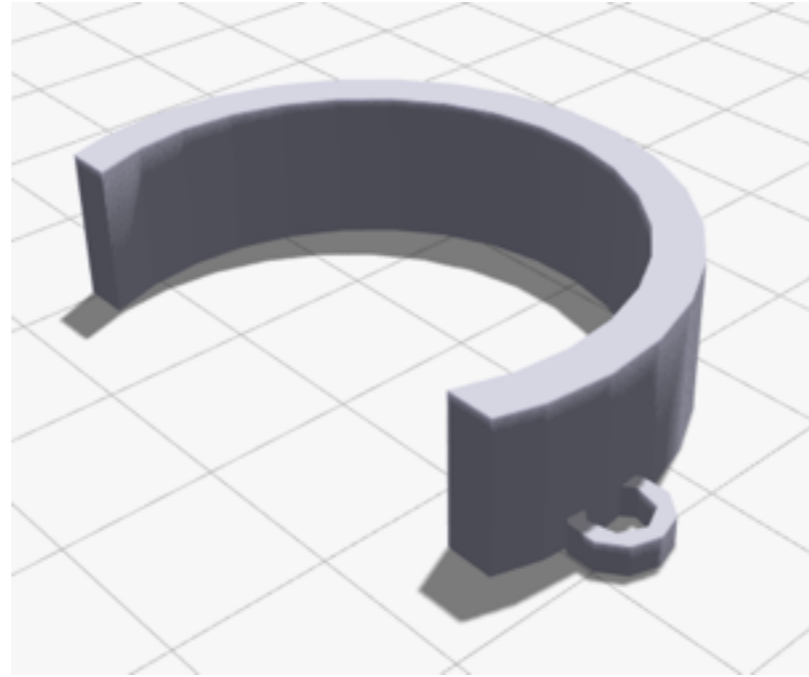
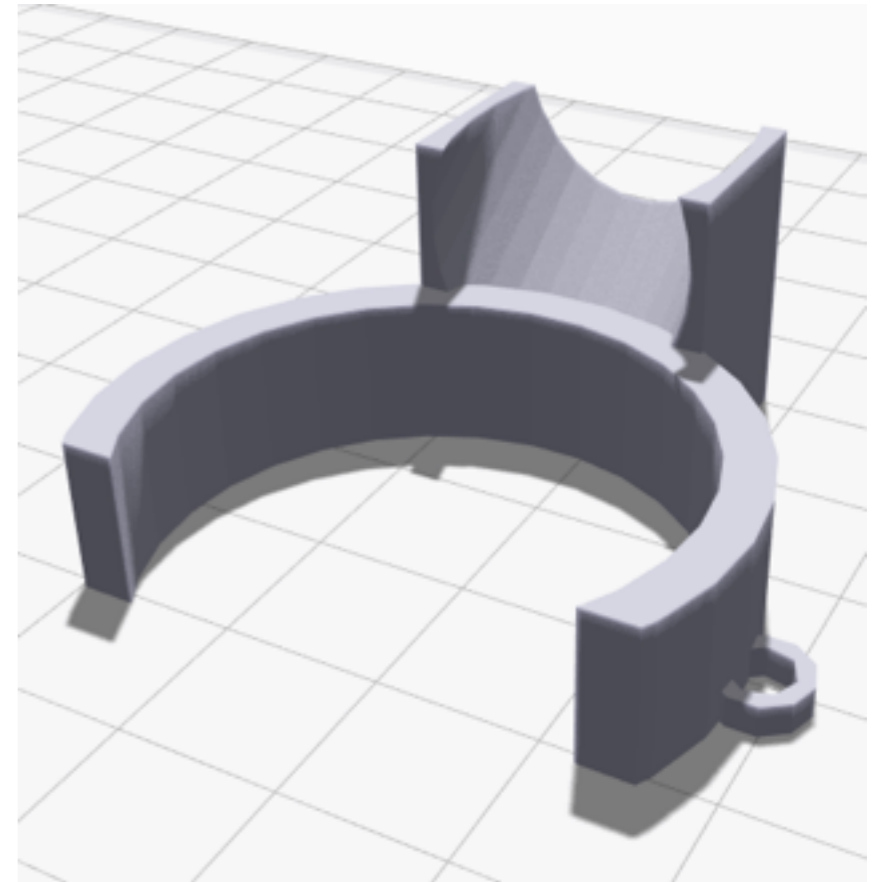


measured circumference
computed radius
accurate but loose fit
print separates



three times thicker
twice as high
tighten for nice snap



increased surround
but tablet wobbles
surround corners too

cm

1

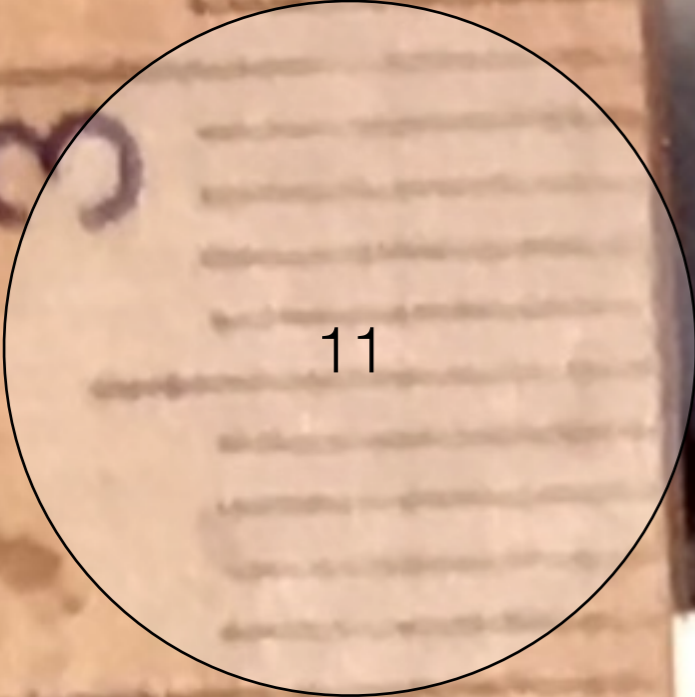
2

3

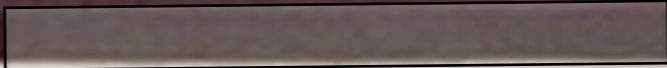
4

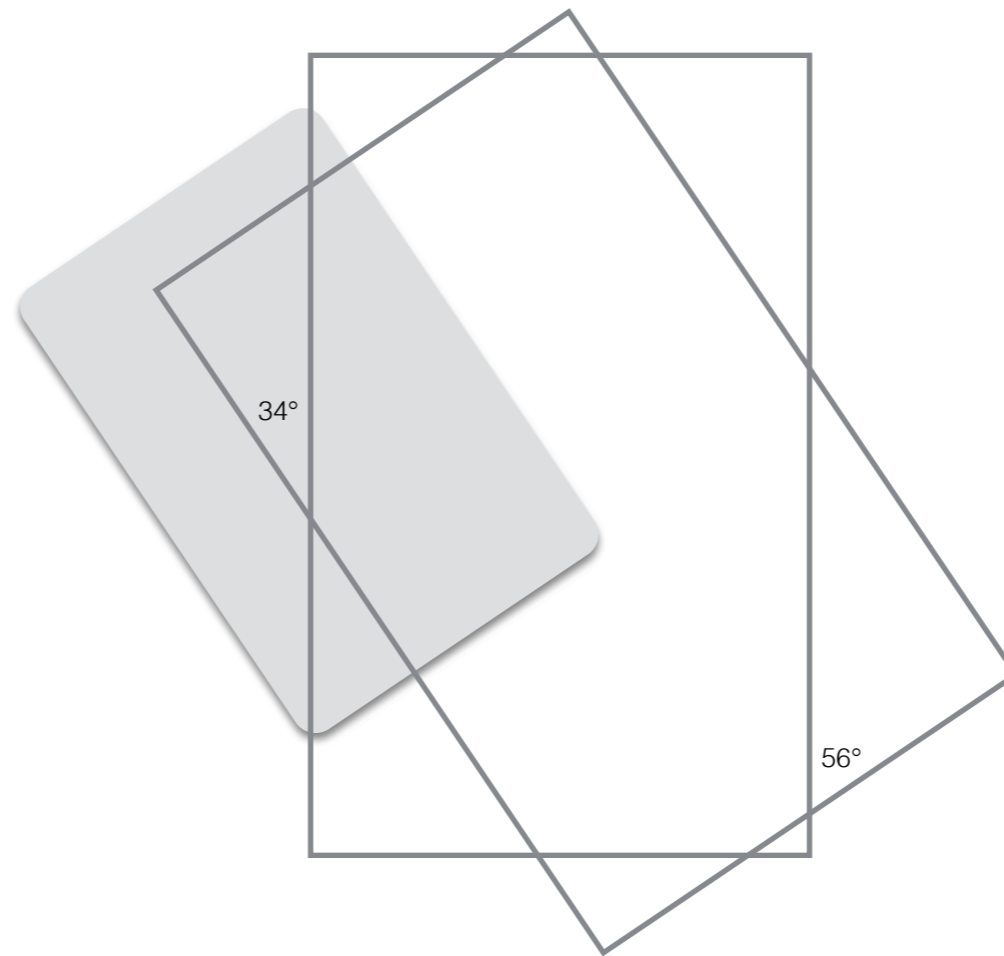
16

18



11





width = 135mm

height = 200mm

$\tan = x/y = 200/135$

$\text{atan}(135/200) = 34.01934998982646$

$\text{atan}(200/135) = 55.98065001017354$

```

r = 17;
dr = 3;
h = 15;

module clip () {
difference()
  cylinder(h=h,r=r+dr);
  translate([0,0,-1]) cylinder(h=h+2,r=r,$fn=90);
  translate([0,-17-2,2]) cube([40,20,2*h+2],true);
}
translate([r+dr+1,0,0])
  difference() {
    cylinder(h=2,r=3,$fn=24);
    translate([0,0,-1])cylinder(h=4,r=2,$fn=24);
  }
}

module tablet () {
  difference() {
    scale(.5)scale([1.8,1.1,1.8]) {
      sphere(10);
      cylinder(30, r=10);
      rotate([0,90,0]) { cylinder(30, r=10); }
      translate([0,-10,0]) { cube([30,20,30]); }
    }
    translate([-20,2,-20]) { cube([80,15,80]); }
  }
}

module socket () {
  rotate([0,-56,0]) {
    difference() {
      translate([-12,-8,-12]) { cube([35,12,35]); }
      tablet();
    }
  }
}

clip();
difference() {
  translate([0,r+9,11]) socket();
  translate([-10,15,-20]) cube(20);
  translate([-30,0,h]) cube(55);
}

```

